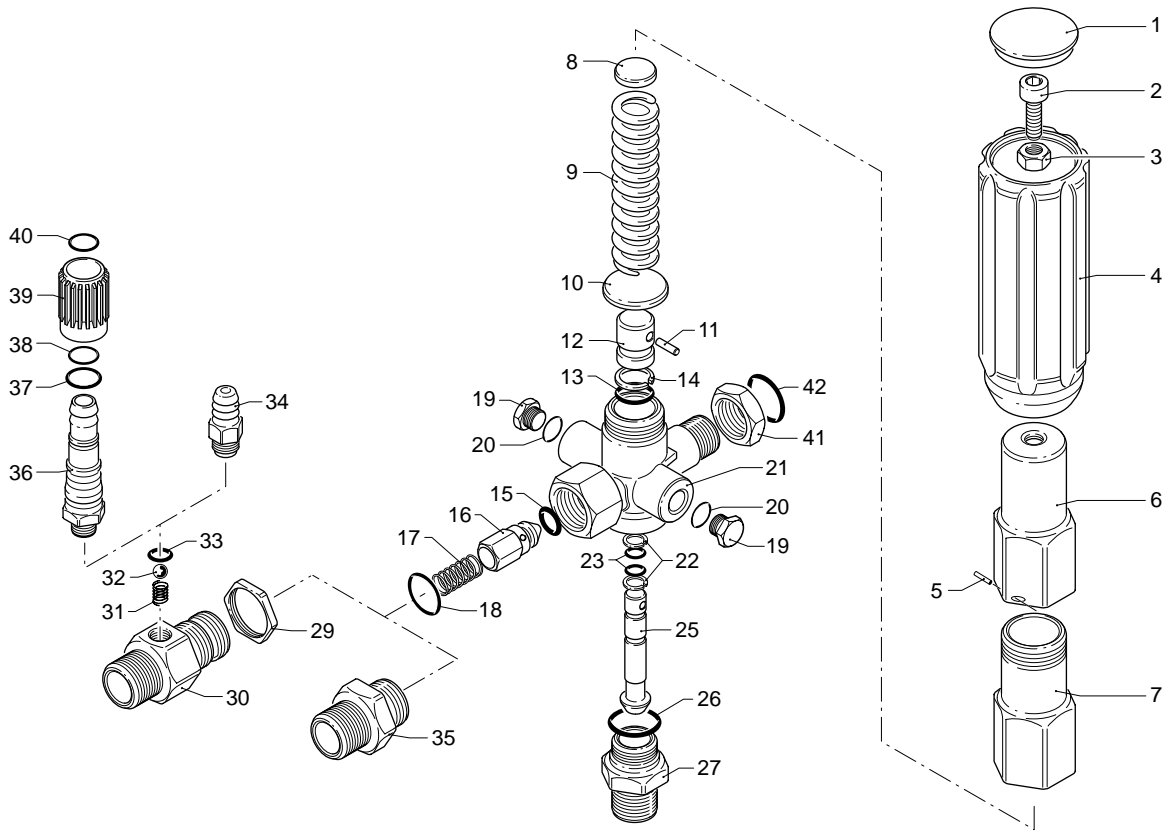
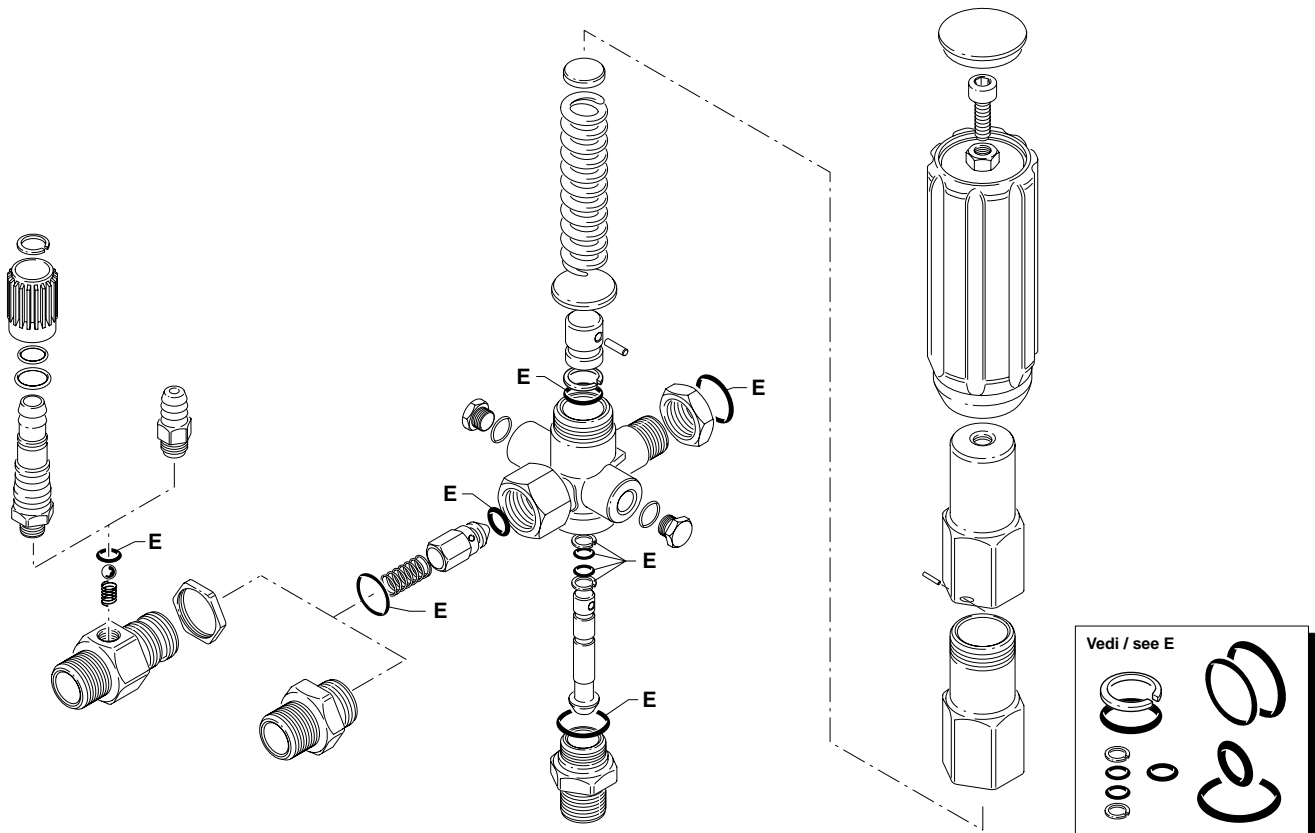


GYMATIC 3/A



UN000188-HF

KIT RICAMBI / PART KITS



UN000189-HF

GYMATIC 3/A



Pos.	Cod. Part n°	Denominazione	Description	Q.tà Q.ty	Note Vedi / See	Pos.	Cod. Part n°	Denominazione	Description	Q.tà Q.ty	Note Vedi / See
1	1560580	Tappo manopola	Knob plug	1		42	740290	OR Ø 14x1,78	O-Ring	1	
2	180030	Vite TCEI M 8x20	Screw	1							
3	1660210	Dado M 8	Nut	1							
4	1560400	Manopola	Handle	1							
5	1080070	Spina	Pin	1							
6	1560420	Vite di regolazione	Adjusting screw	1							
7	1560410	Guida molla	Spring guide	1							
8	1560440	Piattello	PLate	1							
9	1560350	Molla	Spring	1							
10	1080610	Piattello molla	Spring plate	1							
11	1080660	Spina	Pin	1							
12	1080540	Pistone superiore	Upper piston	1							
13	391000	OR Ø 9,13x2,62	O-Ring	1							
14	1080640	Anello antiest.	Back-up ring	1							
15	1560150	OR Ø 5,94x3,53	O-Ring	1							
16	1560100	Otturatore	Jet	1							
17	1560140	Molla	Spring	1							
18	180101	OR Ø 17,5x2	O-Ring	1							
19	880581	Tappo	Plug	2	Optional						
20	820510	OR	O-Ring	2	Optional						
21	1560020	Corpo valvola	Valve housing	1							
22	1080550	Anello antiest.	Back-up ring	2							
23	480480	OR Ø 4,48x1,78	O-Ring	2							
25	1560320	Pistone inferiore	Lower piston	1							
26	880270	OR Ø 17,17x1,78	O-Ring	1							
27	1080831	Niples by-pass	By-pass adaptor	1							
29	1560510	Controdado	Nut	1	■ ▲						
30	1560500	Raccordo 3/8" G	Fitting 3/8" G	1	Ø 1,8 ■ ▲						
30	1560530	Raccordo 3/8" G	Fitting 3/8" G	1	Ø 2,1 ■ ▲						
30	1560540	Raccordo 3/8" G	Fitting 3/8" G	1	Ø 2,3 ■ ▲						
31	1560520	Molla	Spring	1	■ ▲						
32	1250280	Sfera	Ball	1	■ ▲						
33	480480	OR Ø 4,48x1,78	O-Ring	1	■ ▲						
34	1560490	Portagomma	Hose tail	1	■						
35	1560110	Niples 3/8" G	Adaptor 3/8" G	1	● Ott./Brass						
35	1560111	Niples 3/8" G	Adaptor 3/8" G	1	● Inox/Steel						
36	1560650	Portagomma	Hose tail	1	▲						
37	800560	OR Ø 8,73x1,78	O-Ring	1	▲						
38	480560	OR Ø 6,75x1,78	O-Ring	1	▲						
39	1560670	Manopola reg.det.	Detergent reg. knob	1	▲						
40	1560660	Anello	Ring	1	▲						
41	1080390	Controdado 3/8" G	Nut	1							

KIT RICAMBI PART KITS

LEGENDA :

E=KIT 2610
OR
O-Rings

● Per / For
GYMATIC 3/A
MAX 250 bar

■ Per / For
GYMATIC 3/A+ID
MAX 250 bar

▲ Per / For
GYMATIC 3/A+IDR
MAX 250 bar

pos.	Q.ty	pos.	Q.ty	pos.	Q.ty	pos.	Q.ty
13	1	26	1				
14	1	33	1				
15	1	42	1				
18	1						
22	2						
23	2						

pos.	Q.ty	pos.	Q.ty	pos.	Q.ty	pos.	Q.ty